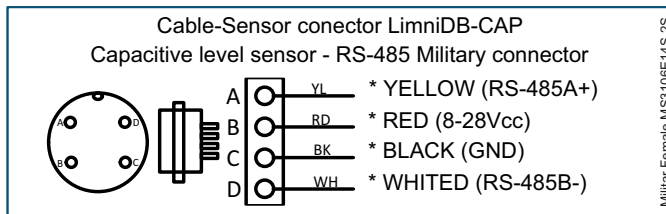
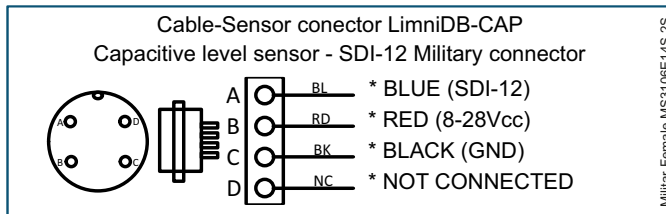
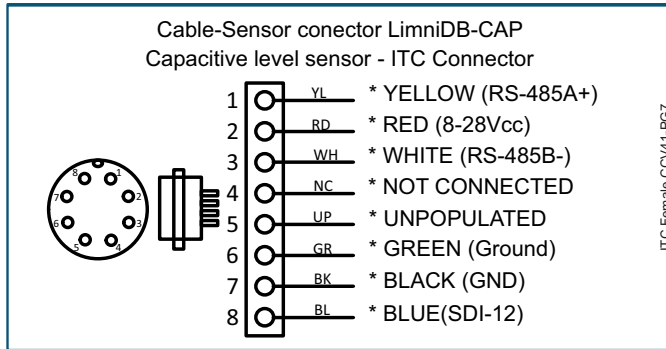


Submersible pressure sensor (limnimeter) - Ceramic capacitive



WIRING DIAGRAM



OPERATION

List of common commands via SDI-12

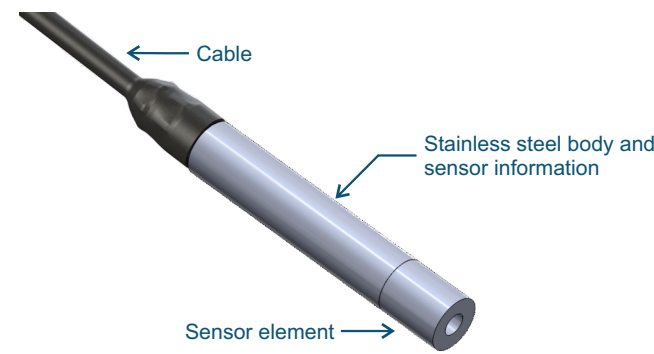
Command	Function
a!	Acknowledge active
aAb!	Change address (default: 0)
?!	Check address
aM!	Start measurement
aD0!	Send data
aM1!	Additional measurements

Order of information sent via SDI-12

Order	Variable	Unit*
1st	Pressure (level)	Bar (absolute)
		cmH2O (relative)
2nd	Temperature	°C

*Standard unit; Other units available.

MAIN COMPONENTS

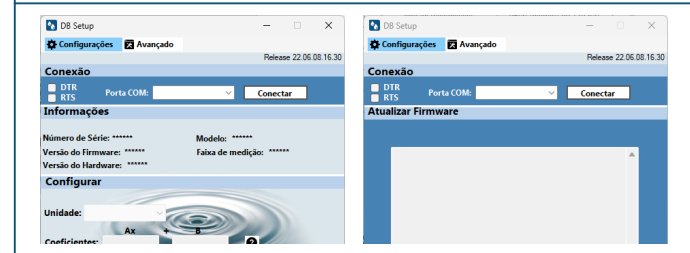


Serial interface via RS-485 and Modbus Map

Address:	1 (default)
Configuration:	8-N-1
Transmission rate:	9600 (default) or 115200

Register	Variable	Unit	Type	Size
0x0002	Pressure	bar	Float	4 bytes
0x0006	Temperature	°C	Float	4 bytes
0x0008	Temperature	°C	Float	4 bytes

LimniDB-Setup (www.dualbase.com.br/downloads)



DIMENSIONS

