

# STH-01

Radiation Shield



# STH-01

Radiation Shield



## APPLICATIONS



Hydrology



Meteorology



Agrometeorology



Sun



Wind

## OVERVIEW

The **STH-01** is designed to ensure the quality of the data obtained by thermohygrometers, as well as protecting and prolonging its life. It has UV protection and low water adhesion. It can be used as the base for the **FoliarDB** sensor and is ideal for the **TUSensDB** thermohygrometer.

## SPECIFICATIONS

### Type

ABS plates with UV filter

### Operating Range

-40 to 80 °C | 0 to 100% UR

### Versions

6 or 12 plates

### Diameter to fix sensors

15 to 17 mm

## PRODUCT DETAILS

- Aluminum support;
- Compatible with various sensor sizes;
- Appropriate for sensors from 15 to 17 mm of diameter
- High-performance polymer (ABS) dishes that ensure low thermal inertia and low deterioration by UV radiation;
- Structure designed to allow adequate ventilation and good protection of the sensors against rainfall and direct radiation;

- **STH-01-6P:** Radiation shield with 6 plates (80 mm);
- **STH-01-12P:** Radiation shield with 12 plates (160 mm);
- **STH-01-E:** Available in special versions. To order please contact us



Features may change without prior notice. Mar/2019

## MANUFACTURER



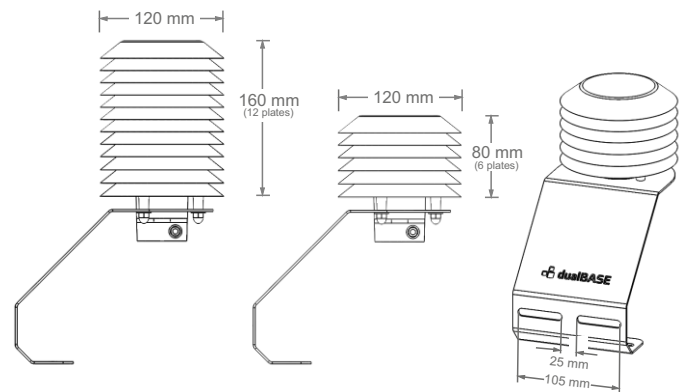
**Manufacturer:** Dualbase Tecnologia Eletrônica LTDA.

**Brand:** Dualbase

**Model:** STH-01

**Type:** Radiation Shield

## DIMENSIONS



## REPRESENTATIVE