

PluviDB[®]

Rain Gauge





Rain gauge sensor



APPLICATIONS



Hydrology



Meteorology



Agrometeorology



Sun



Wind

OVERVIEW

The **PluviDB[®]** works with a large range of precipitation intensities (0 to 500mm / h), offering accuracy, resistance, durability and linearity in the measurements.

SPECIFICATIONS

Capacity

0 to 500 mm/h

Resolution⁽¹⁾

0,2 mm

Operating Range

-20 to 70 °C | 0 to 100% UR

Maximum accuracy⁽²⁾

± 2% @ 0 to 250 mm/h

± 3% @ 250 to 500 mm/h

Leveling system

Bubble level

Bucket orifice opening⁽³⁾

314 cm²

Funnel Collector Diameter⁽³⁾

200 ± 0,5 mm

Cable Length⁽⁴⁾

5,0 m (standard)

Output

Double reed-switch

ON pulse of 100 ms.

PRODUCT DETAILS

- Tipping bucket mechanism;
- Built entirely with stainless materials;
- With flow regulator device;
- Body of aluminum, stainless steel and epoxy paint;
- Bubble leveling system;
- Inner edges have right angle format and outer edge oblique angle format, which minimizes the effects of wind turbulence.

NOTE: 1 - Can be supplied with different resolution; 2 - Range factor k=2 to a confidence level of 95%;
3 - Can be supplied with different measurements; 4 - Can be supplied with different cable lengths.

- **PluviDB[®]-E:** Available in special versions. To order please contact us.



Features may change without prior notice. Mar/2019

MANUFACTURER



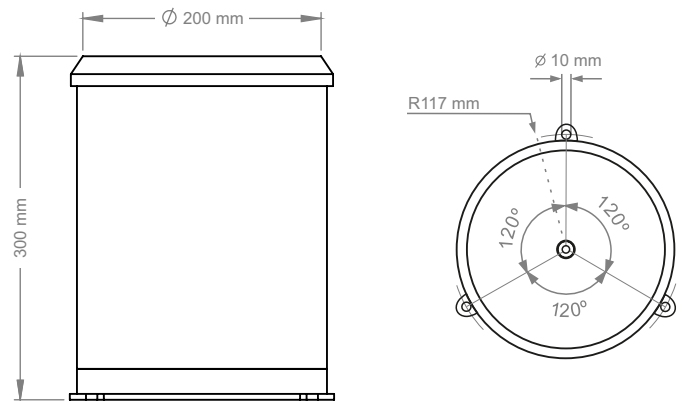
Manufacturer: Dualbase Tecnologia Eletrônica LTDA.

Brand: Dualbase

Model: PluviDB[®]

Type: Rain Gauge

DIMENSIONS



REPRESENTATIVE